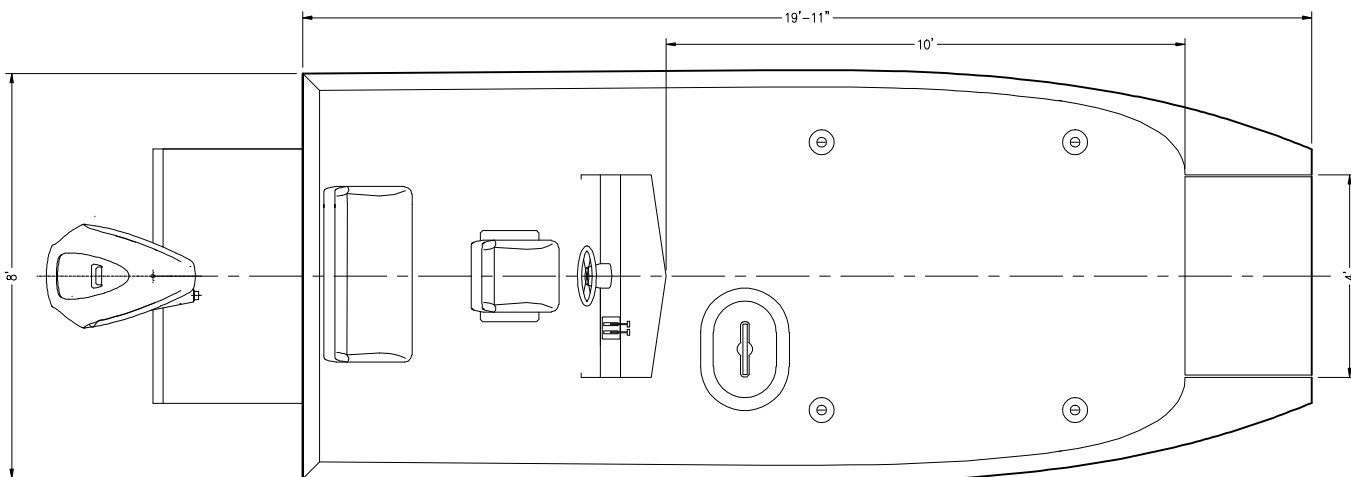
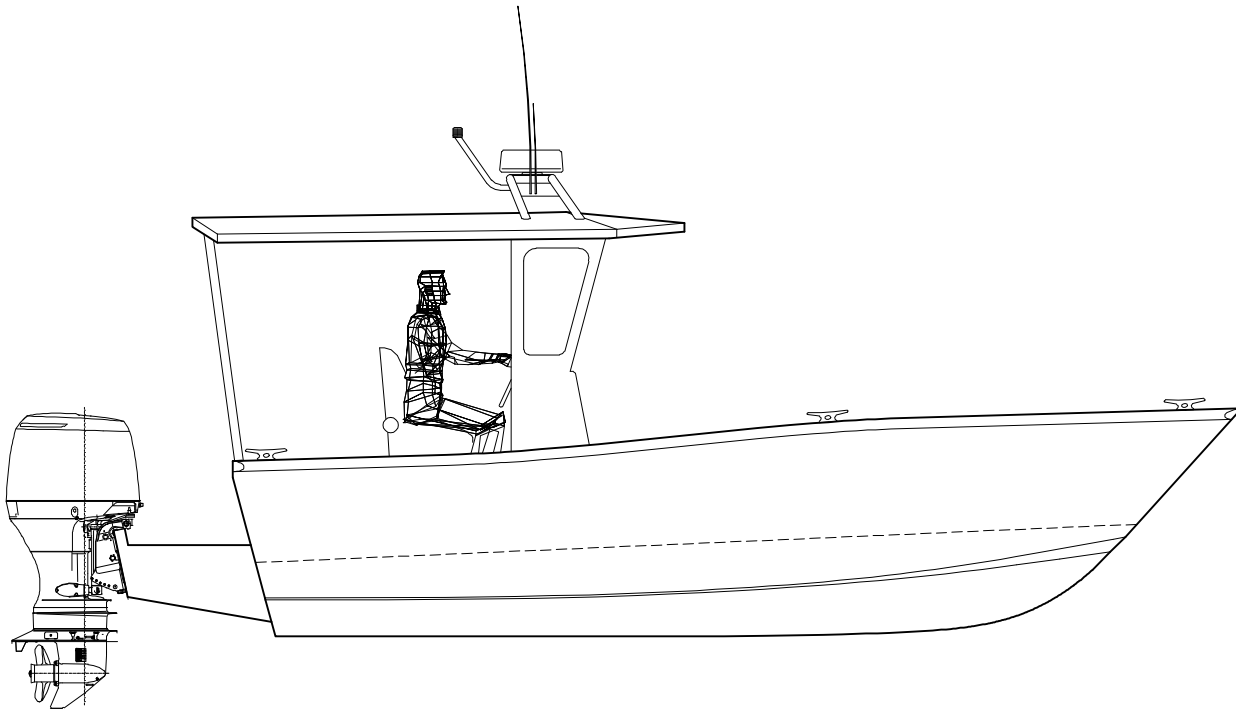


20' COMM/REC LANDING CRAFT



**ALL VESSELS AVAILABLE
FROM 20' TO 50'**

ALL PROFILE AND ARRANGEMENT DRAWINGS ARE MODIFIABLE TO SUIT THE NEEDS OR PREFERENCES OF OUR CUSTOMERS. PLEASE ALLOW US TO ACCOMMODATE YOU WITH YOUR PREFERRED CHANGES.

**NICHOLS
NDI DIVERSIFIED
INDUSTRIES, LLC**

FREELAND, WASHINGTON
Tel: (360) 331-7230
Fax: (360) 331-7231
e-mail info@NDIBoats.com
www.NDIBoats.com