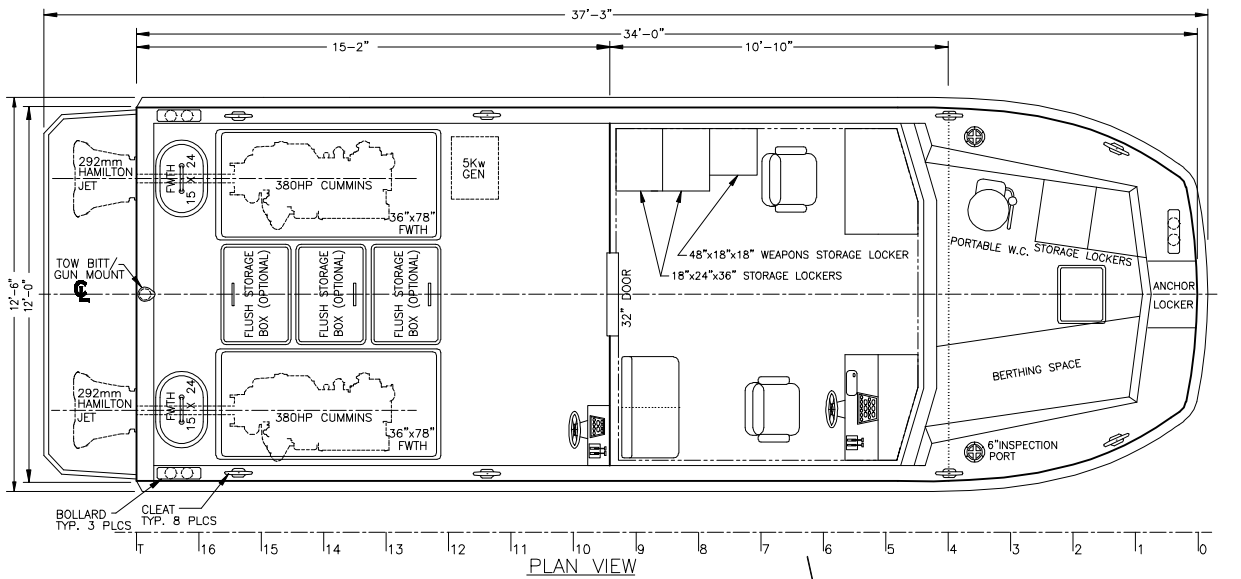
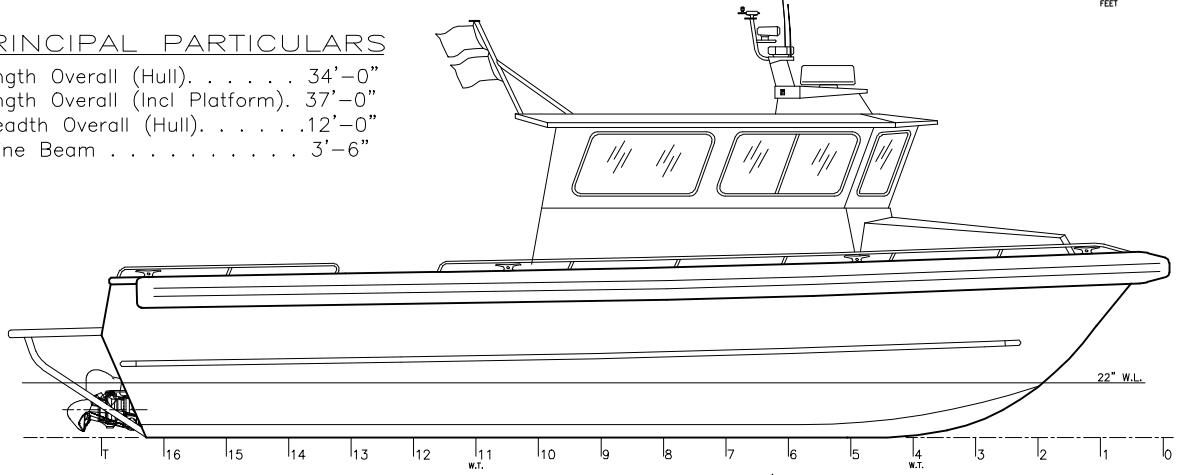


# 34'x12' PATROL CATAMARAN



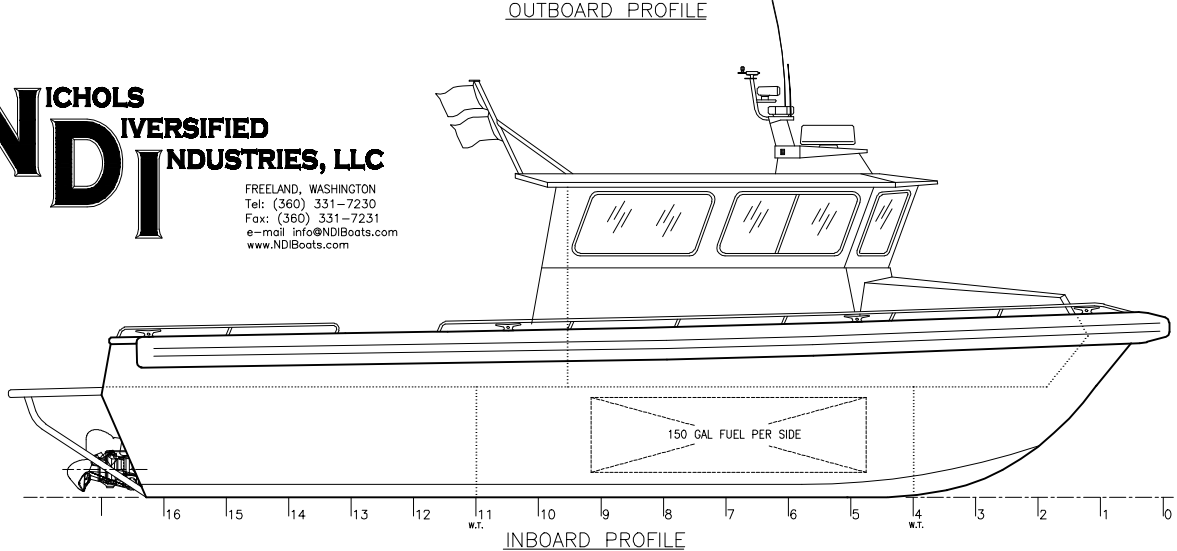
## PRINCIPAL PARTICULARS

Length Overall (Hull) . . . . . 34'-0"  
 Length Overall (Incl Platform) . . . . . 37'-0"  
 Breadth Overall (Hull) . . . . . 12'-0"  
 Chine Beam . . . . . 3'-6"



**NICHOLS**  
**NDI** DIVERSIFIED  
**INDUSTRIES, LLC**

FREELAND, WASHINGTON  
 Tel: (360) 331-7230  
 Fax: (360) 331-7231  
 e-mail info@NDIBoats.com  
 www.NDIBoats.com



ALL PROFILE AND ARRANGEMENT DRAWINGS ARE MODIFIABLE TO SUIT THE NEEDS OR PREFERENCES OF OUR CUSTOMERS. PLEASE ALLOW US TO ACCOMMODATE YOU WITH YOUR PREFERRED CHANGES.

**ALL VESSELS AVAILABLE FROM 20' TO 50'**